

Features

- 16A switching capability
- Contact arrangement: 1A、1C
- Transparent dust cover
- Optional relay socket, easy installation and use
- Breakdown voltage: 4KV (between contact and coil)
- Environmental friendly product (RoHS compliant)
- Outline Dimensions: (29.0×12.7×25.3) mm
- Main application: Industrial Control



CHARACTERISTICS

Specifications	Item		
Contact Data	Contact arrangement		1A、1C
	Contact resistance(initial)		100mΩ(6VDC 1A)
	Contact material		AgSnO ₂
Rated value	Rated load(Resistance load)		16A 250VAC/30VDC
	Max.switching voltage		277VAC/30VDC
	Max.switching current		16A
	Max.switching capacity		4000VA/480W
	Min.allowing load		5VDC 100mA
Electrical performance	Insulation resistance(initial)		1000MΩ(500VDC)
	Dielectric strength (initial)	Between open contacts	1000VAC, 1min
		Between coil&contacts	4000VAC, 1min
	Operate time		≤15ms
Release time		≤8ms	
Mechanical performance	Shock resistance	Functional	98m/s ² (10g)
		Destructive	980m/s ² (100g)
Vibration resistance		10Hz~55Hz 1.5mm DA	
Endurance	Mechanical		5×10 ⁶ ops
	Electrical		16A 250VAC/30VDC 1×10 ⁵ ops (ON/OFF=1s/9s)
Operate condition	Ambient temperature		-40℃~70℃
	Humidity		5% to 85%
Termination			PCB
Unit weight			Approx.18g
Construction			Flux proofed

COIL DATA(23°C)

Nominal Voltage	Pick-up Voltage VDC	Drop-out Voltage VDC	Rated Current ($\pm 10\%$)	Coil Resistance ($\pm 10\%$)	Nominal Power	Max Voltage
DC 5V	≤ 3.75	≥ 0.25	106.4mA	47 Ω	530mW	130%Nominal Voltage
DC 6V	≤ 4.50	≥ 0.30	88.2mA	68 Ω		
DC 9V	≤ 6.75	≥ 0.45	58.8mA	153 Ω		
DC 12V	≤ 9.00	≥ 0.60	44.1mA	272 Ω		
DC 24V	≤ 18.00	≥ 1.20	22.1mA	1087 Ω		
DC 48V	≤ 36.00	≥ 2.40	11mA	4347 Ω		
DC 100V	≤ 75.00	≥ 5.00	5.3mA	18868 Ω		

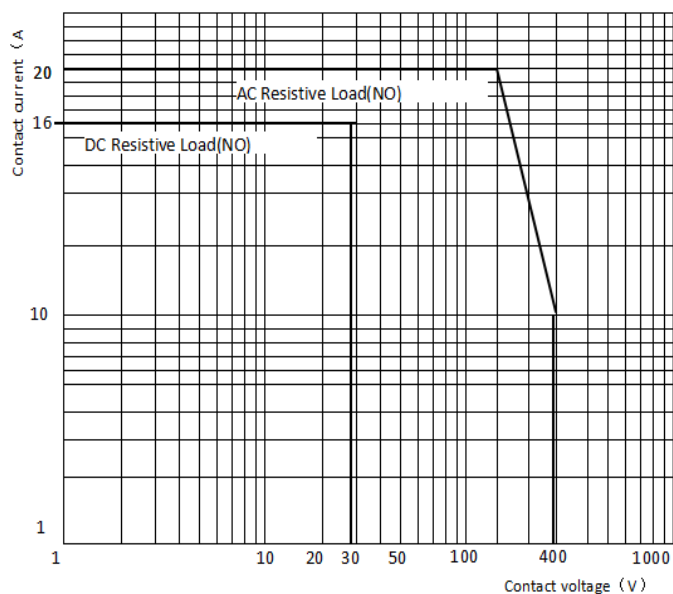
ORDERING INFORMATION

W39 -1A 2 T -XXX DC12V

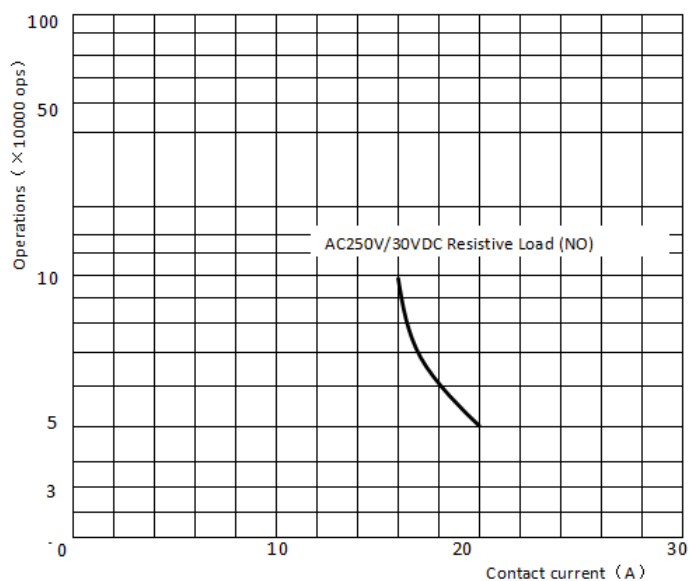
- ① Type
- ② Contact arrangement: 1A=1open contacts, 1C=1 switched contacts
- ③ PCB mounting: 2=type 2
- ④ Contact material: T=AgSnO₂
- ⑤ Customer special code: numbers or letters denote customer's requirements
- ⑥ Coil specification: DC5/6/9/12/24/48/100V

PERFORMANCE CURVES

MAXIMUM SWITCHING POWER

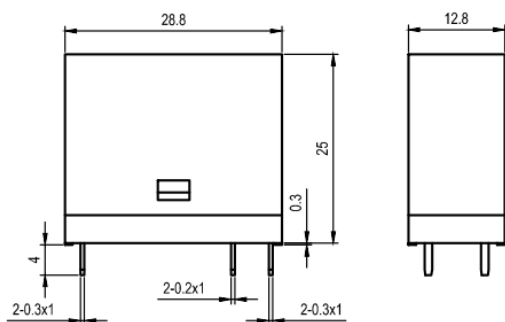


ENDURANCE CURVE

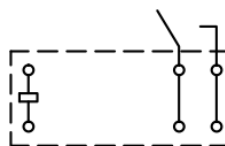


■ OUTLINE DIMENSIONS, WIRING DIAGRAM AND PC BOARD LAYOUT (Unit: mm)

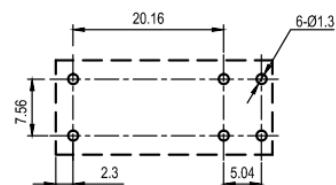
1A Outline Dimensions



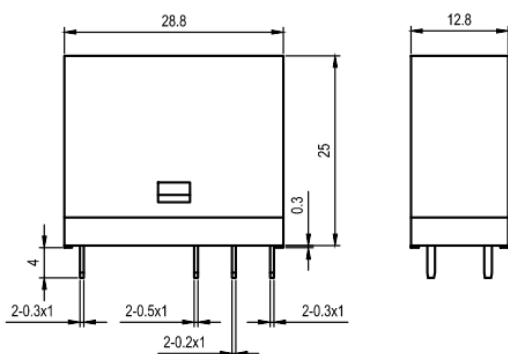
Wiring Diagram
(Bottom view)



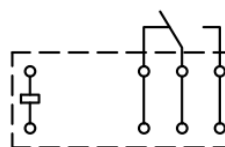
PCB Layout
(Bottom view)



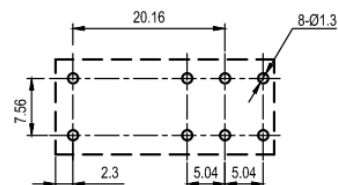
1C Outline Dimensions



Wiring Diagram
(Bottom view)



PCB Layout
(Bottom view)



Remark: (1) In case of no tolerance shown in outline dimension: outline dimension ≤ 1 mm, tolerance should be ± 0.2 mm; outline dimension > 1 mm and < 5 mm, tolerance should be ± 0.3 mm; outline dimension ≥ 5 mm, tolerance should be ± 0.5 mm.

(2) The tolerance without indicating for PCB layout is always ± 0.1 mm.

■ NOTICE

① The specification is for reference only, specifications subject to change without notice.